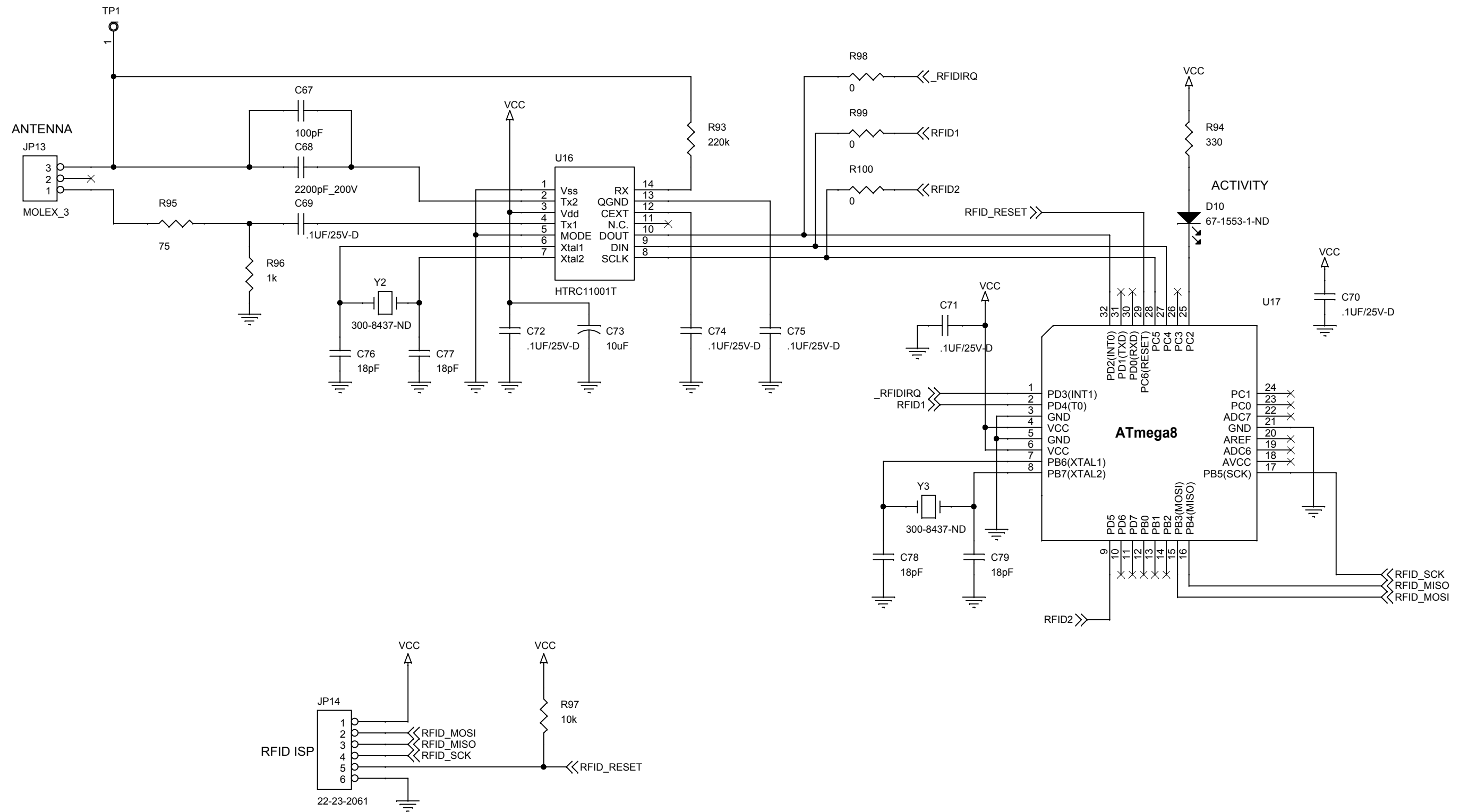
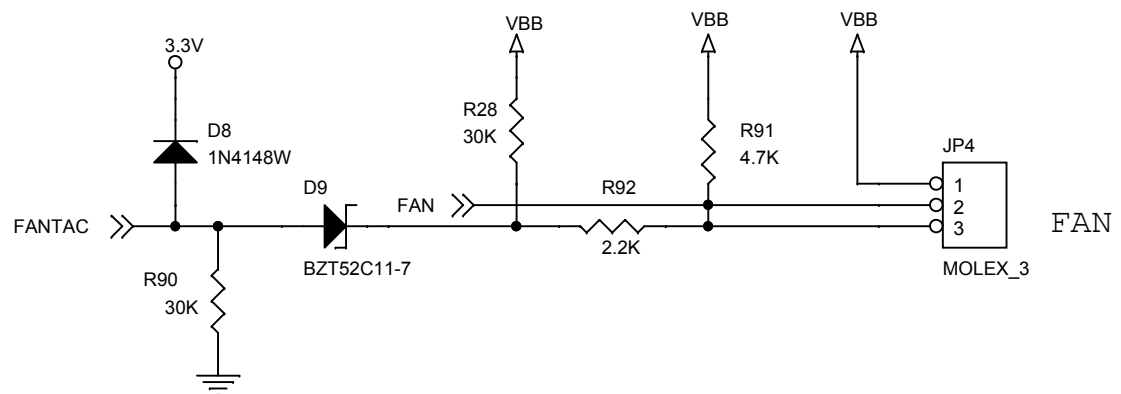
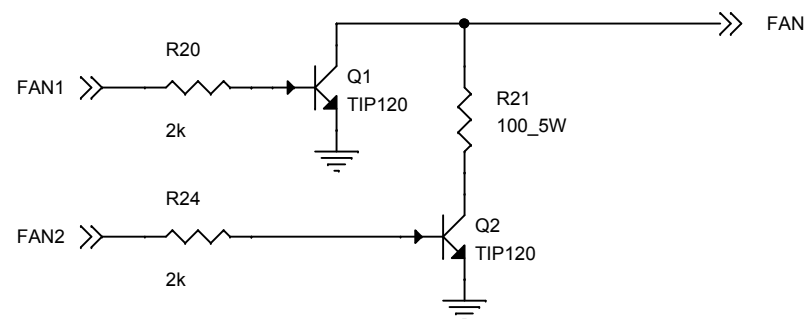
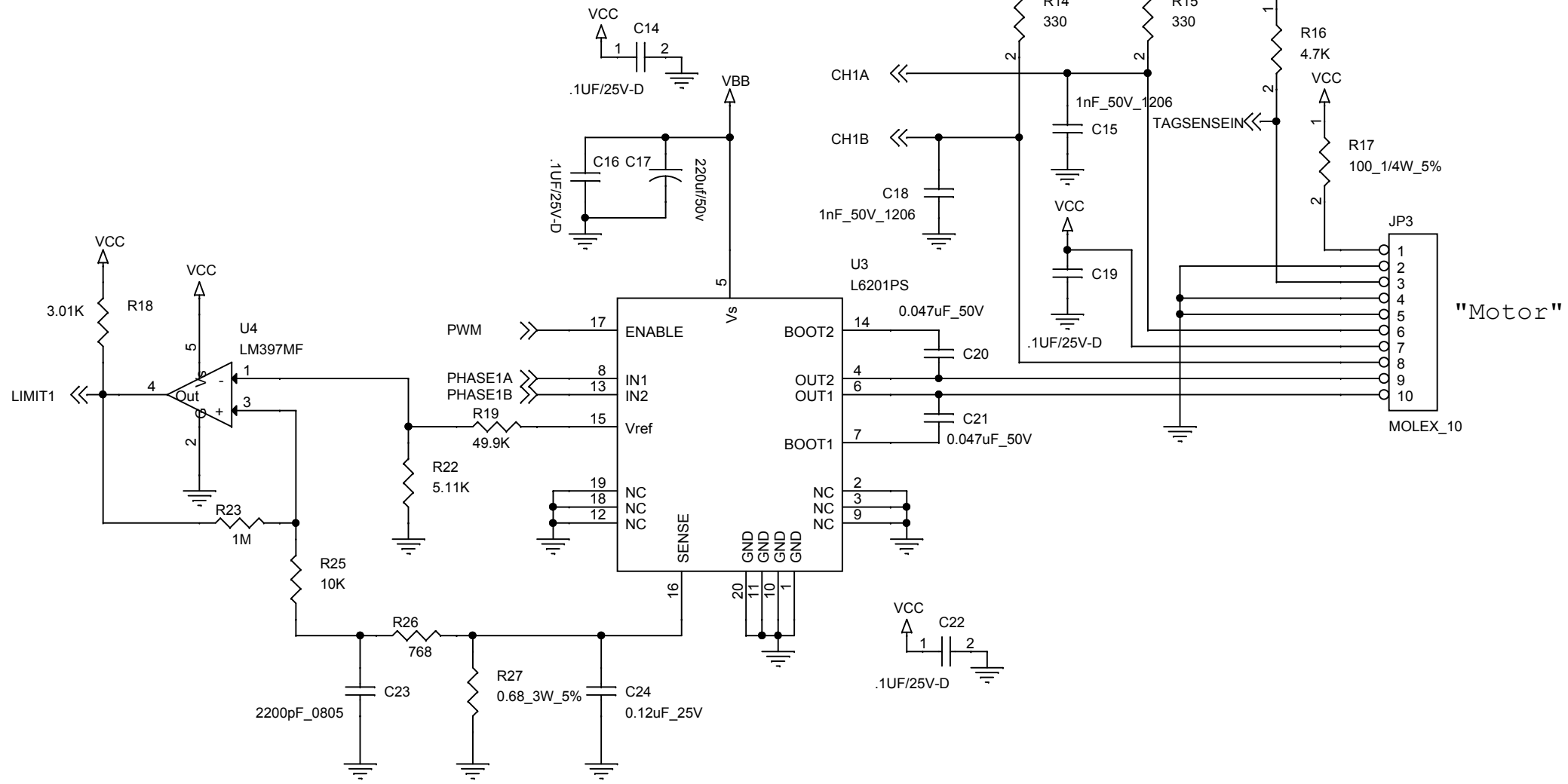
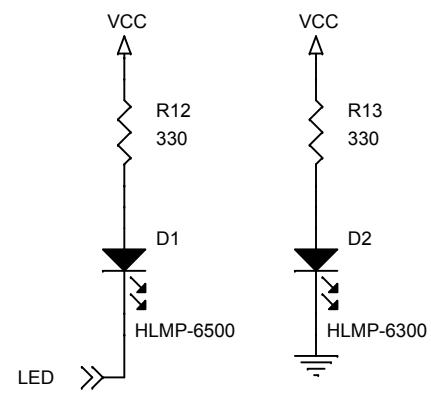


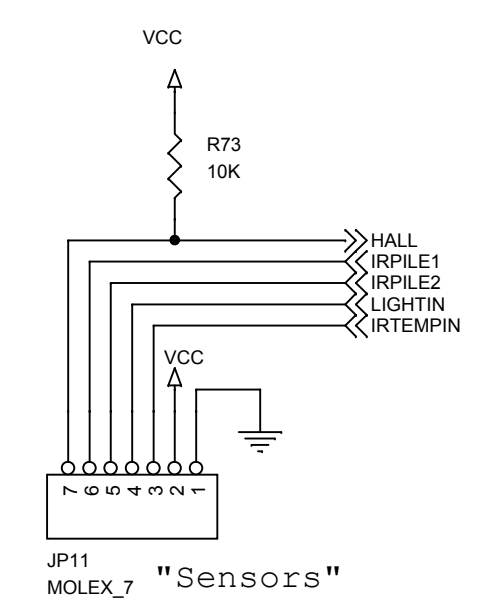
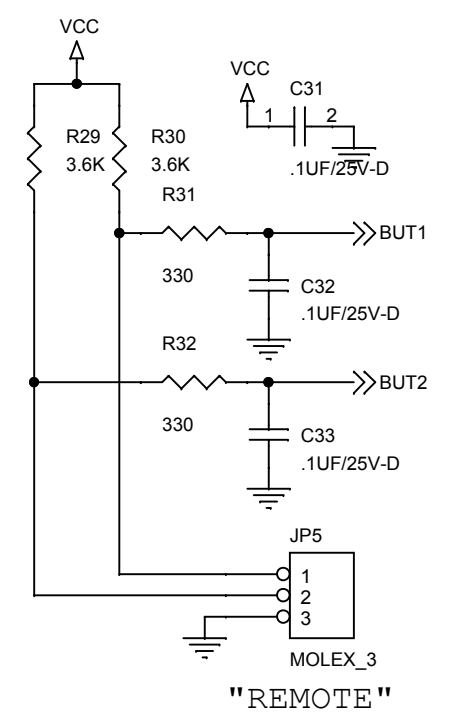
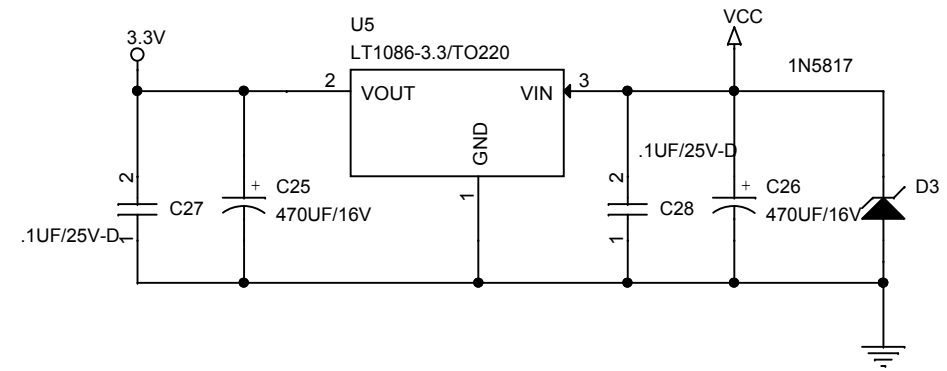
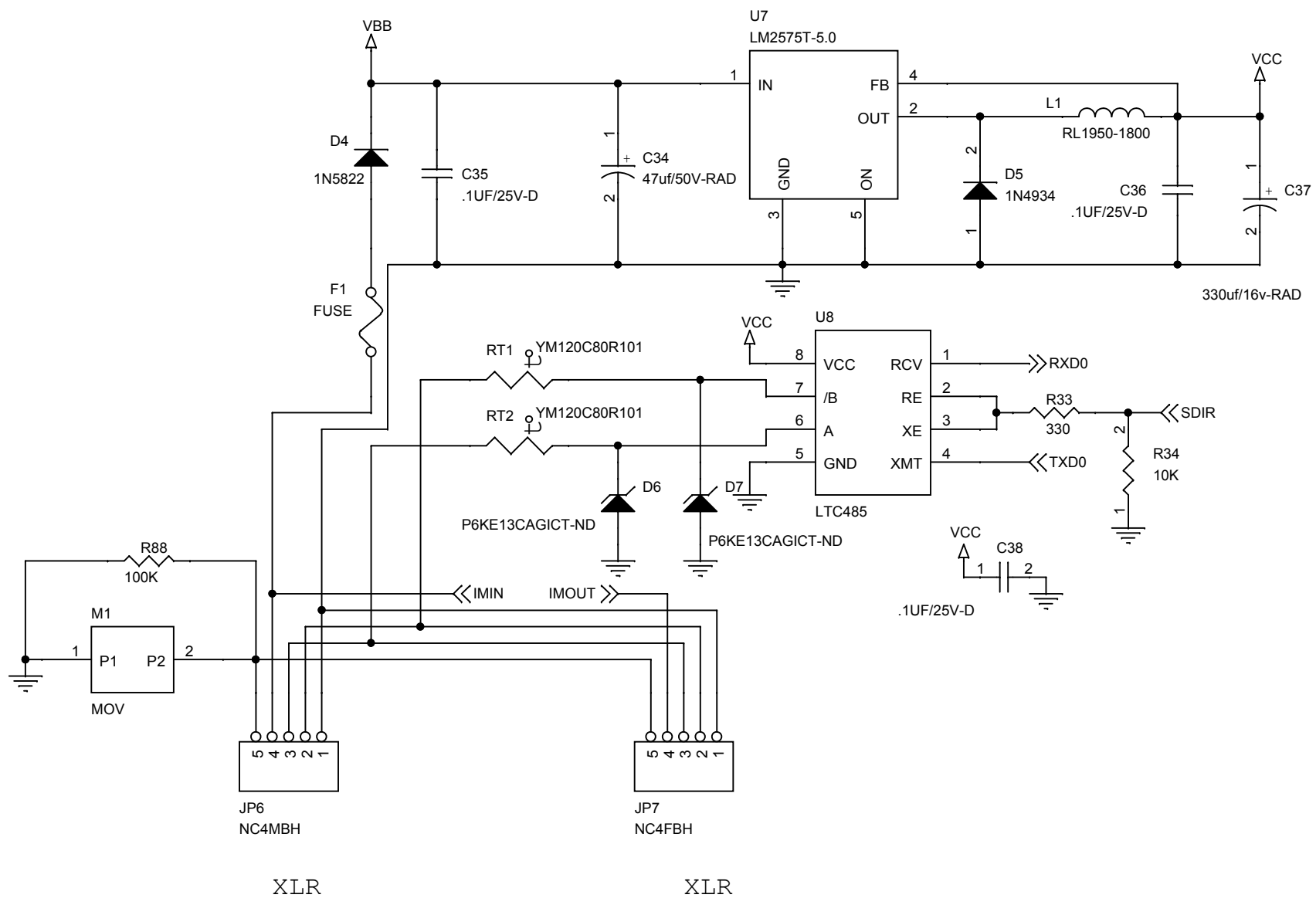
Title		
Coloram IT		
Size	Document Number	Rev
B	469-02-003	E
Date:	Monday, January 31, 2011	Sheet 1 of 7



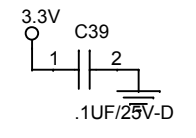
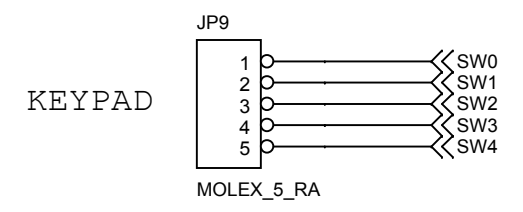
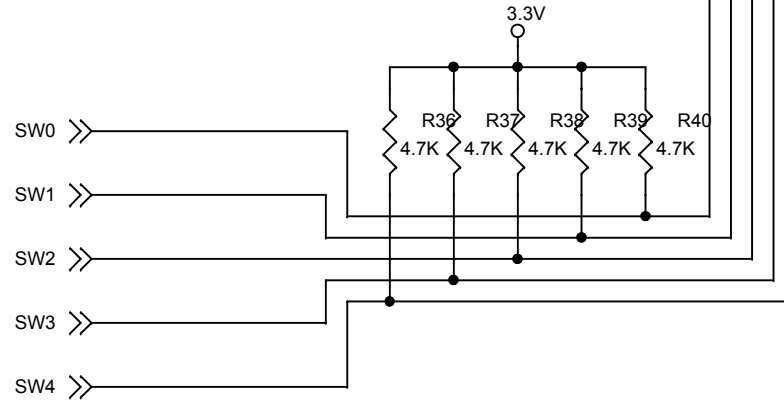
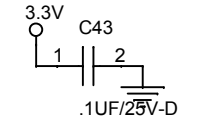
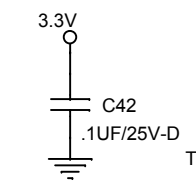
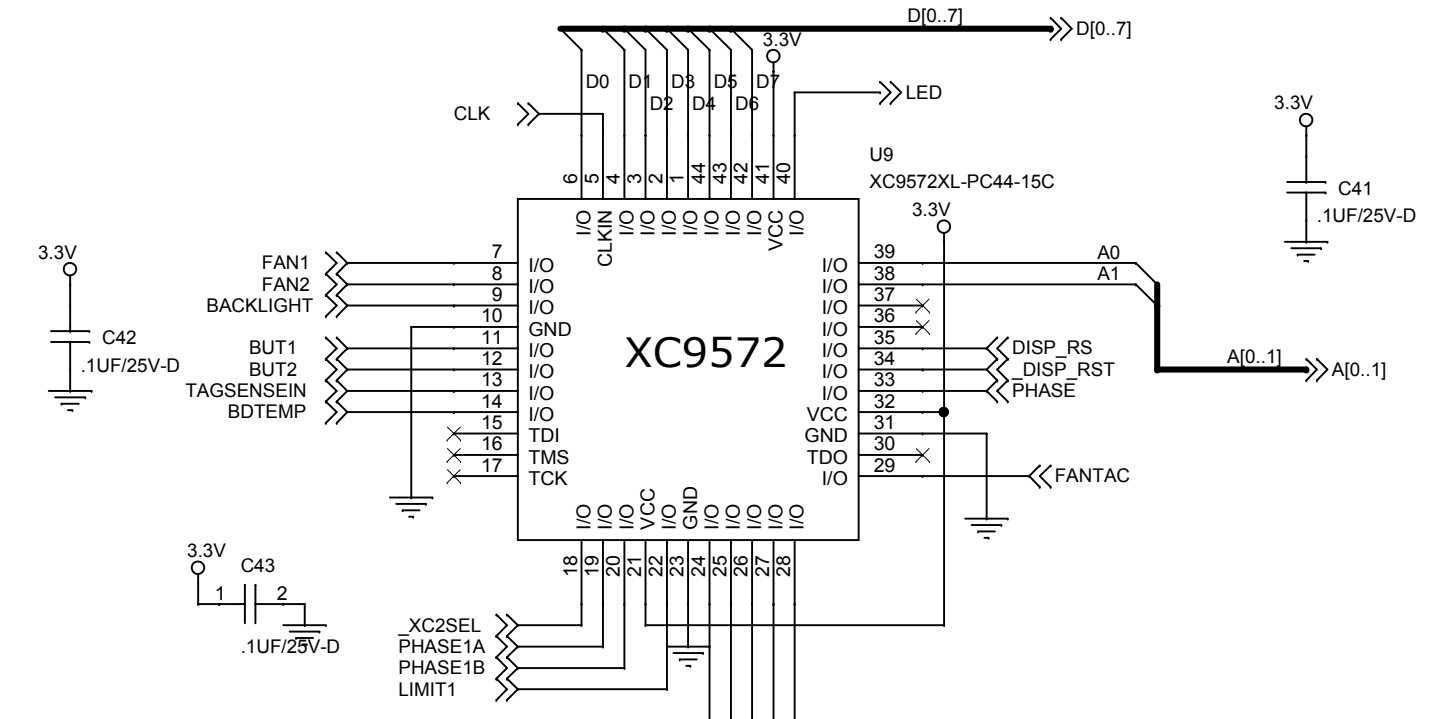
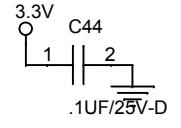
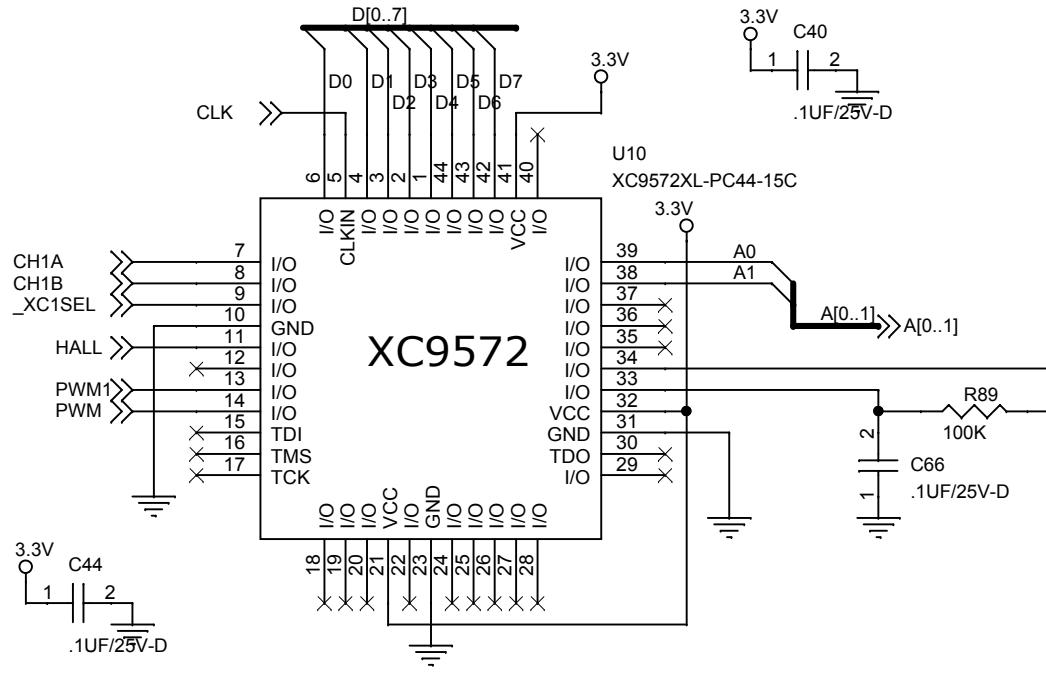
Title		
Coloram IT		
Size	Document Number	Rev
B	469-02-003	E
Date:	Monday, January 31, 2011	Sheet 2 of 7



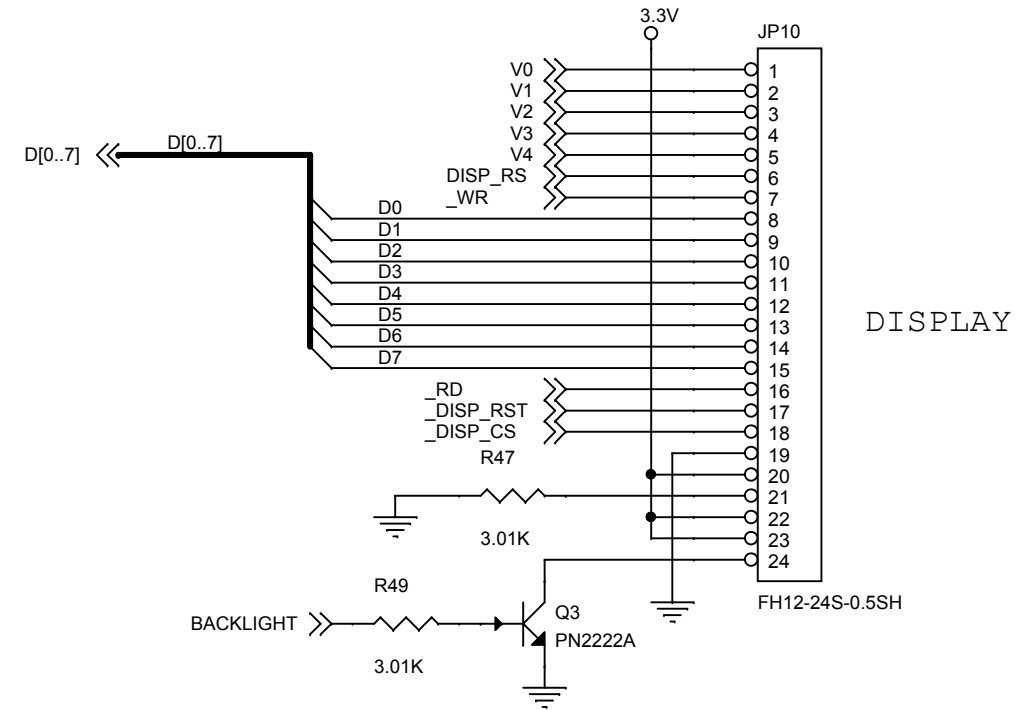
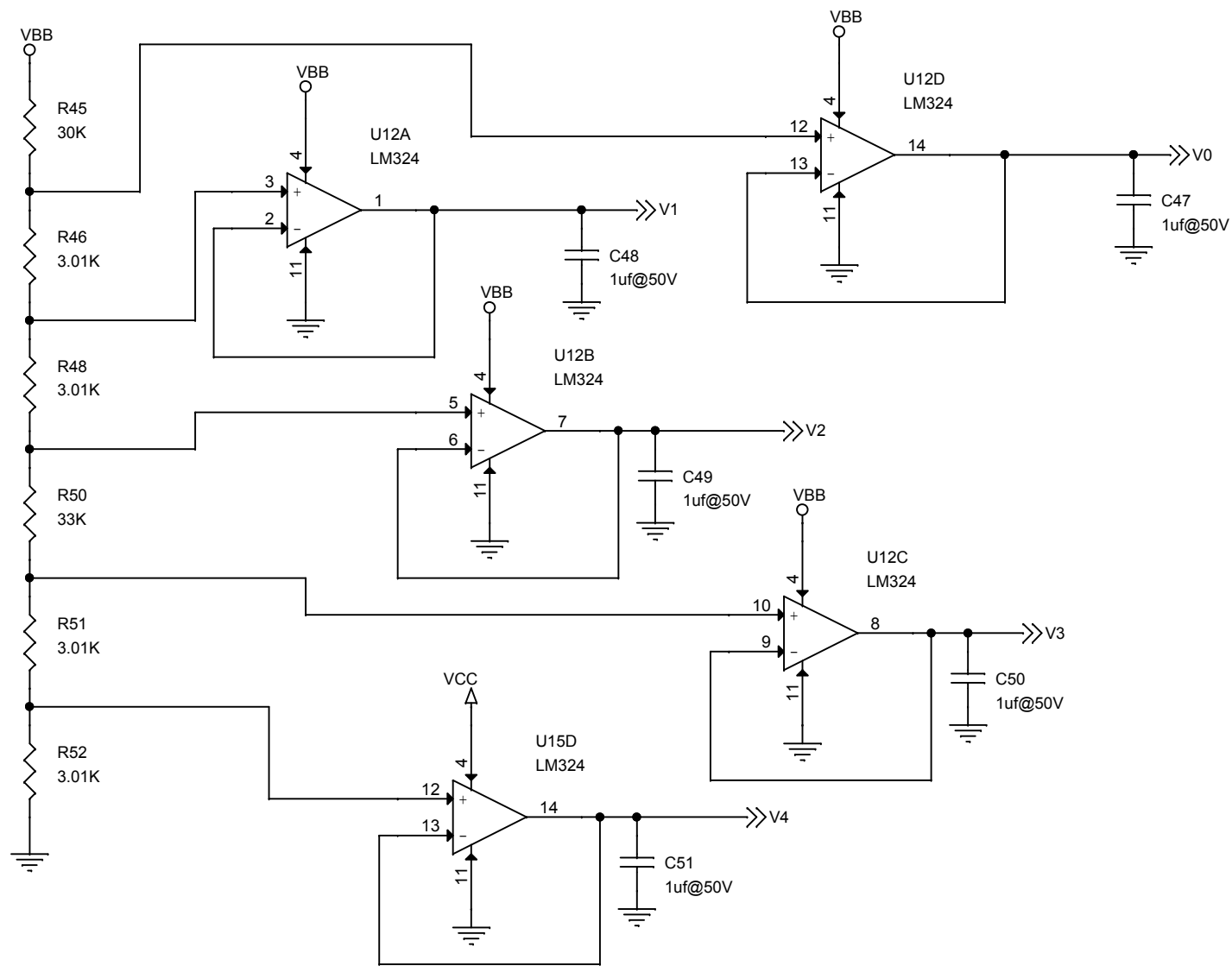
Title		
Coloram IT		
Size	Document Number	Rev
B	469-02-003	E
Date:	Friday, June 22, 2012	Sheet 3 of 7



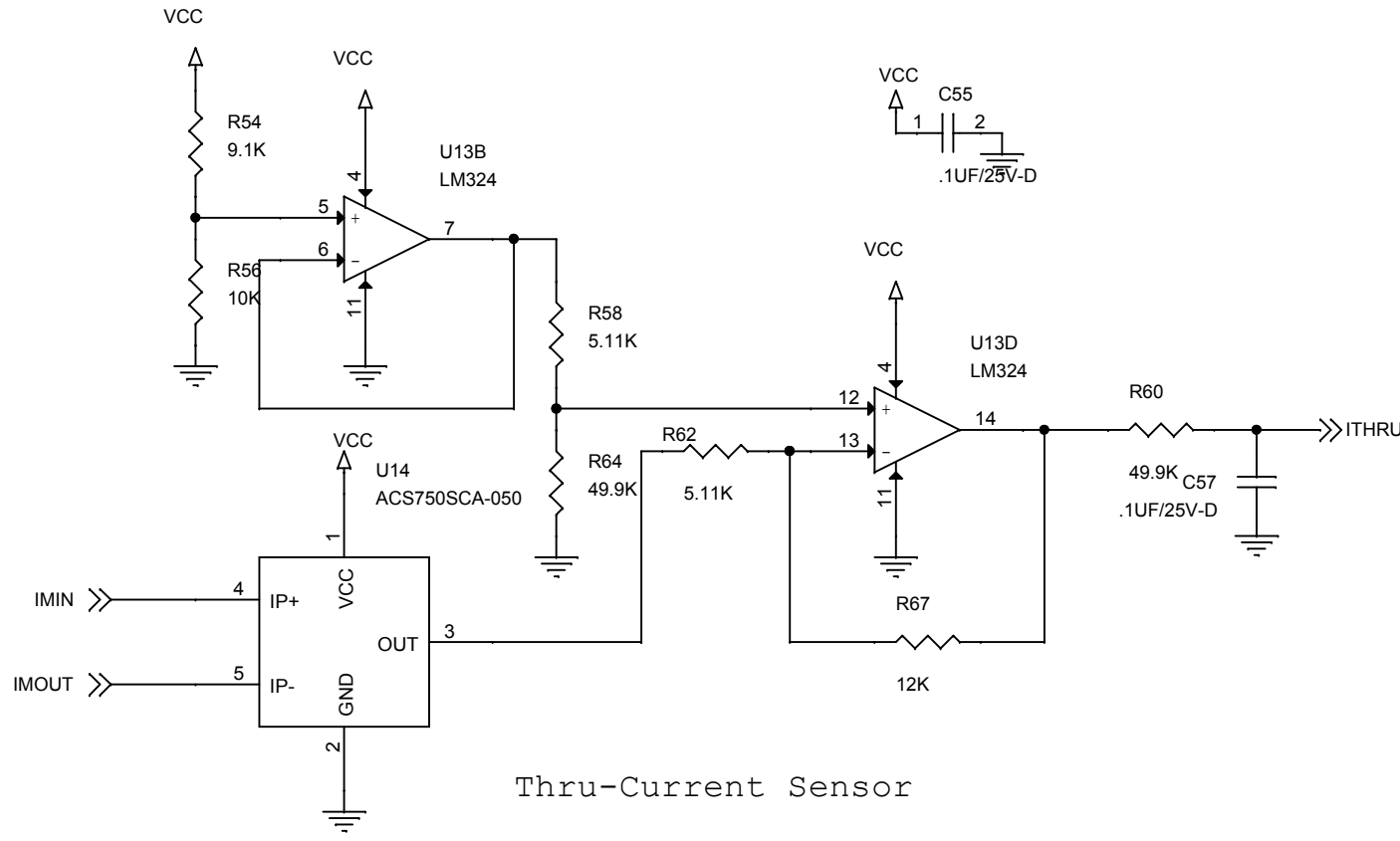
Title		
Coloram IT		
Size	Document Number	Rev
B	469-02-003	E
Date:	Monday, January 31, 2011	Sheet 4 of 7



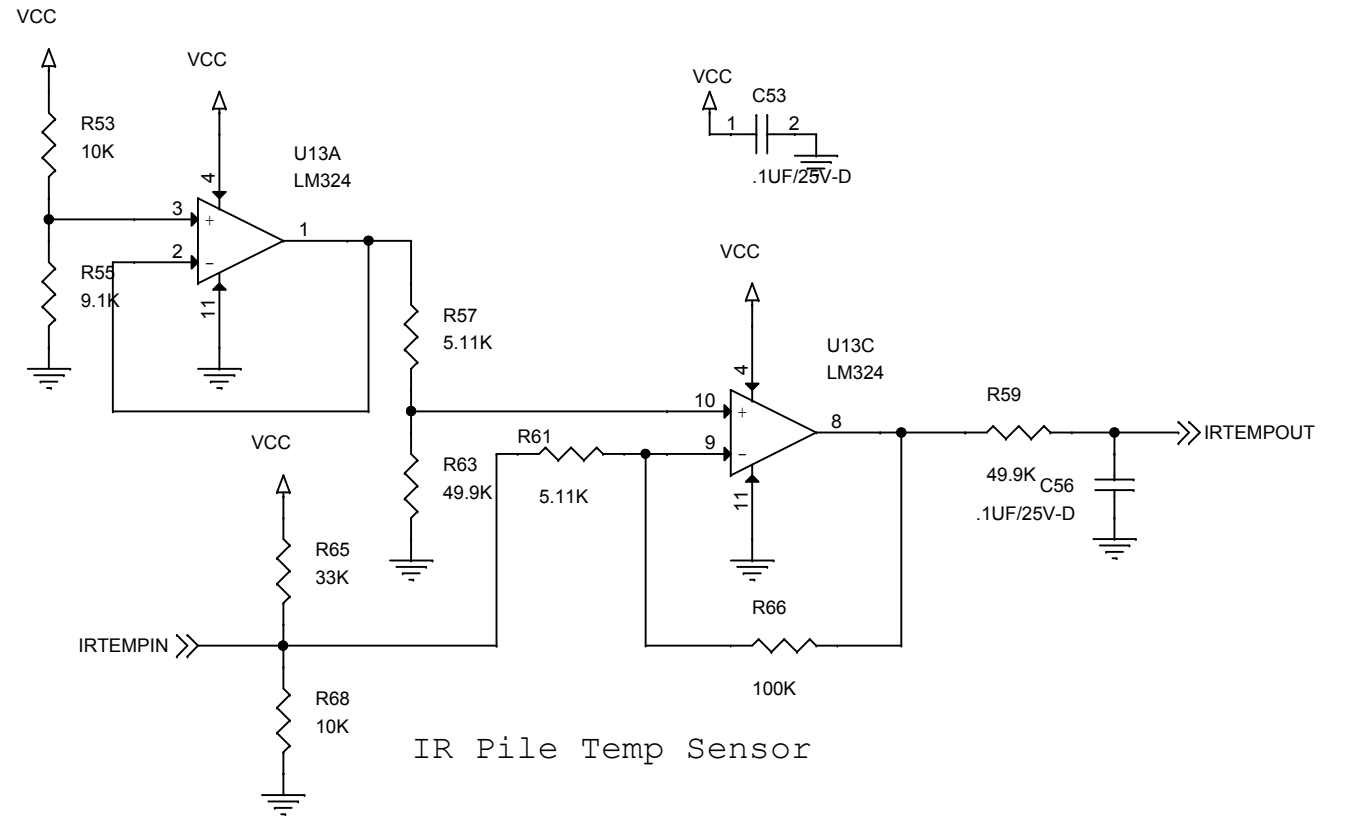
Title		
Coloram IT		
Size	Document Number	Rev
B	469-02-003	E
Date:	Monday, January 31, 2011	Sheet 5 of 7



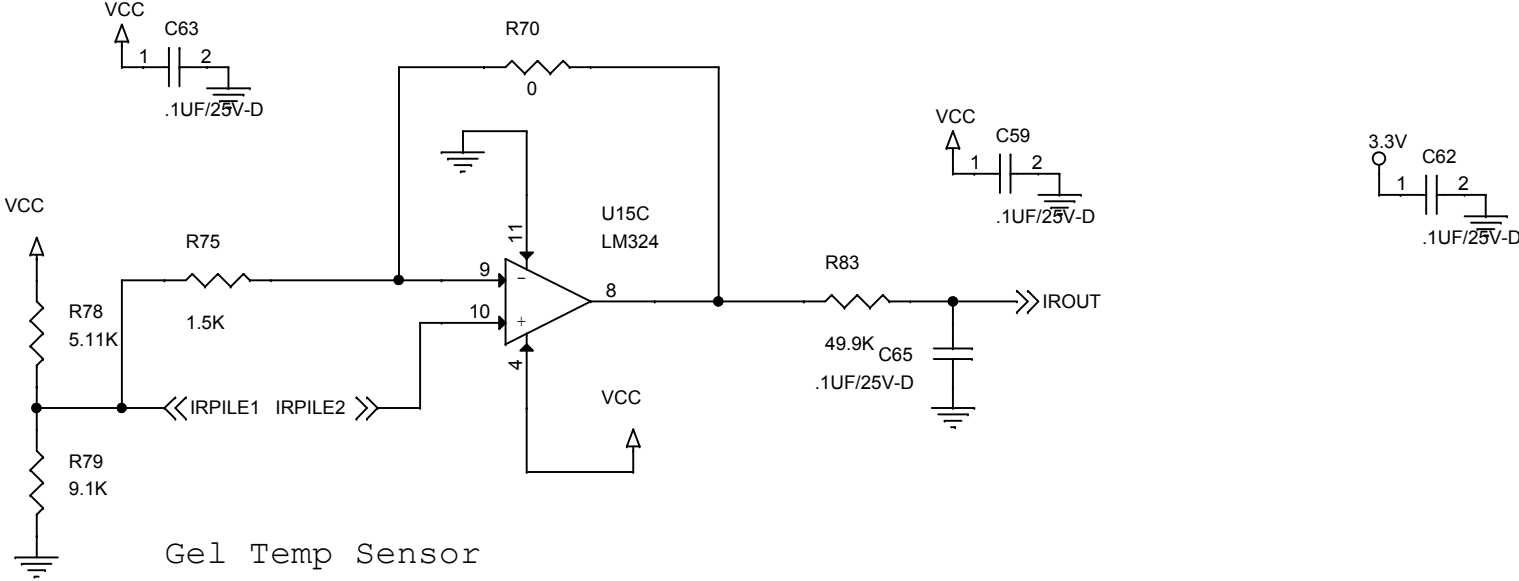
Title		
Coloram IT		
Size	Document Number	Rev
B	469-02-003	E
Date:	Monday, January 31, 2011	Sheet 6 of 7



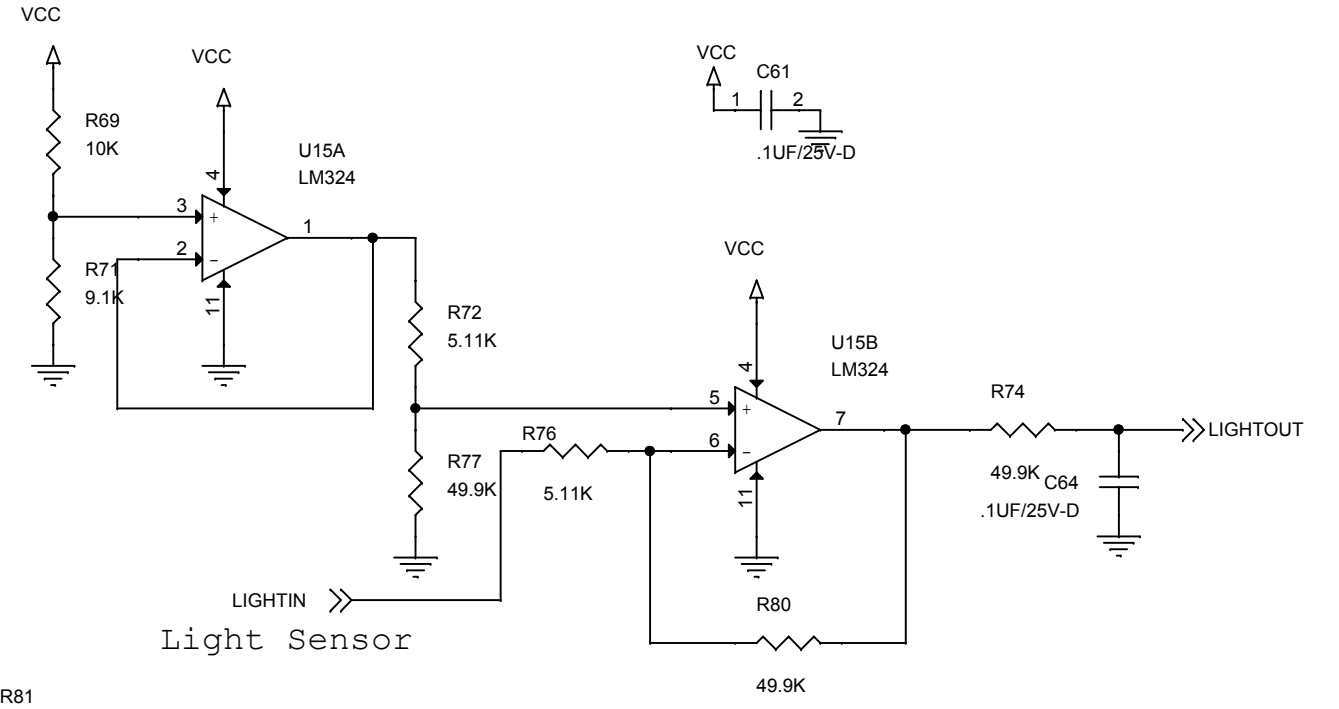
Thru-Current Sensor



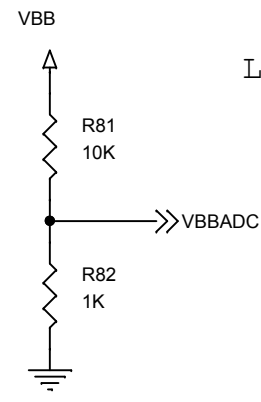
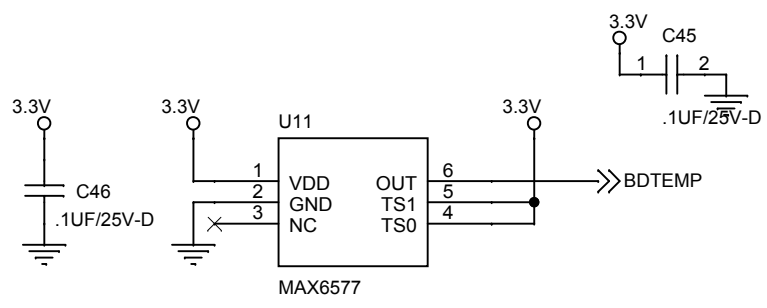
IR Pile Temp Sensor



Gel Temp Sensor



Light Sensor



Title		
Coloram IT		
Size	Document Number	Rev
B	469-02-003	E
Date:	Monday, January 31, 2011	Sheet 7 of 7