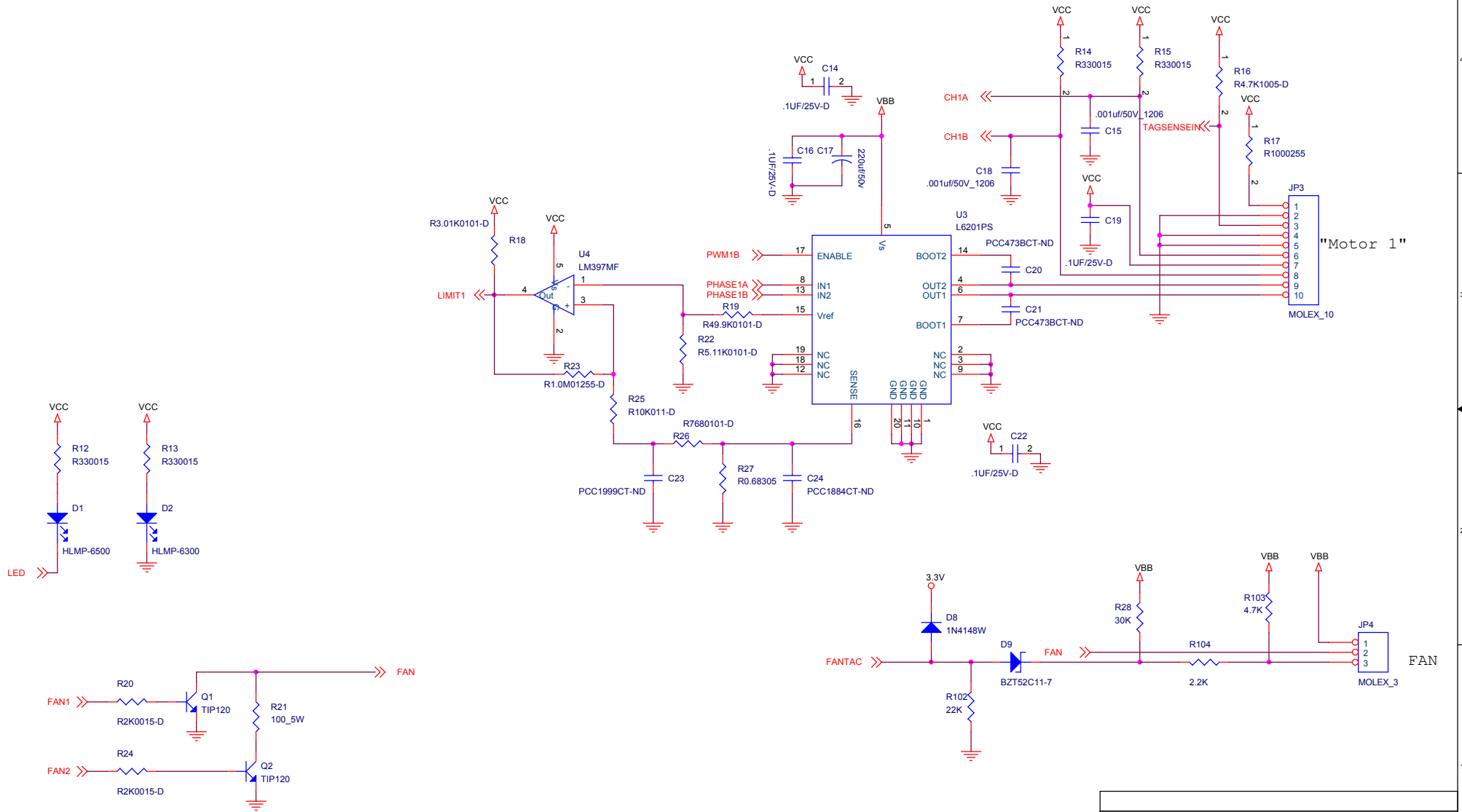


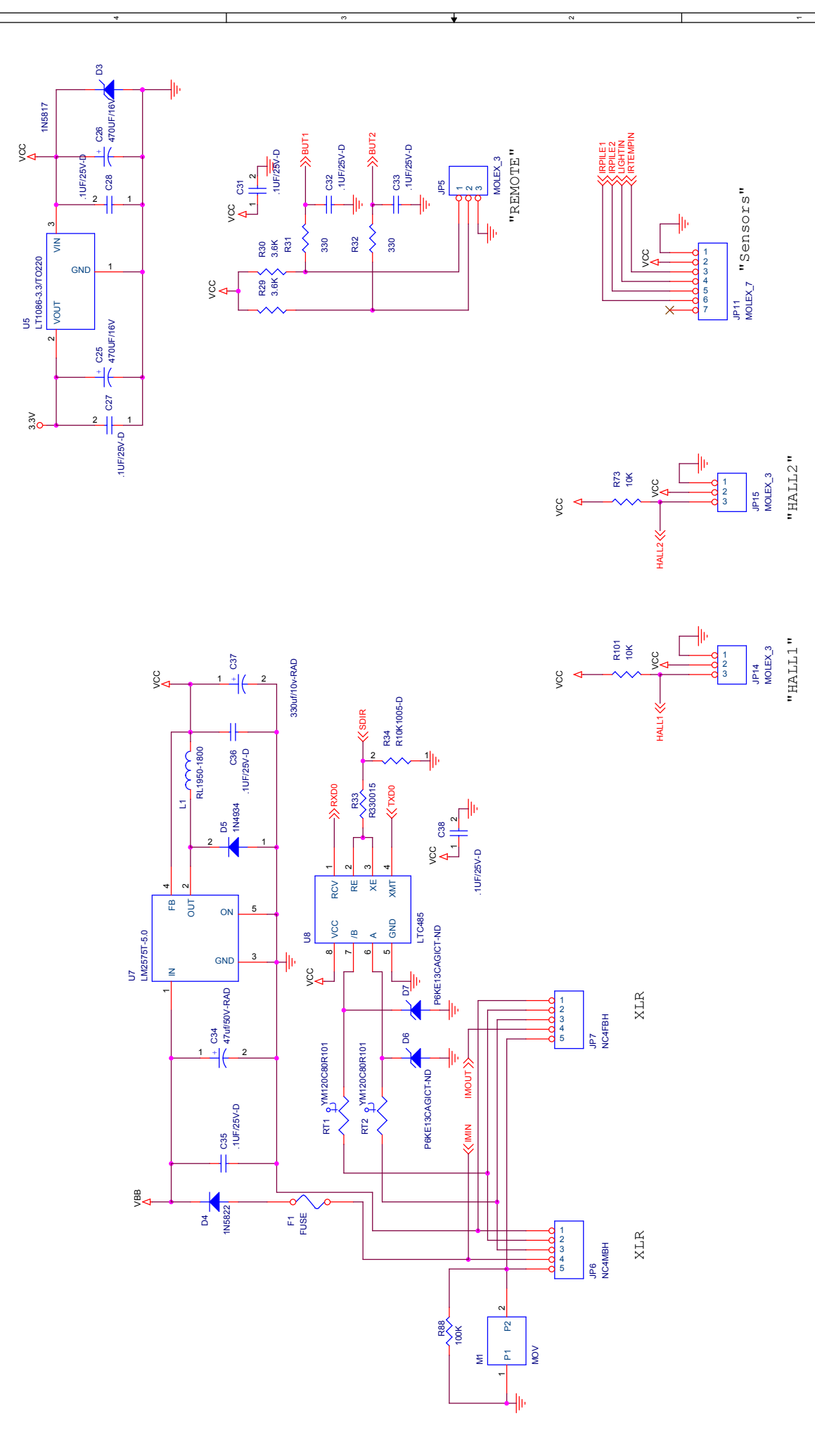
Title		
CXI IT		
Size	Document Number	Rev
B	401-02-003	C
Date:	Thursday, November 02, 2006	Sheet
		1 of 7

Grid lines: A, B, C, D, E (horizontal); 1, 2, 3, 4 (vertical)

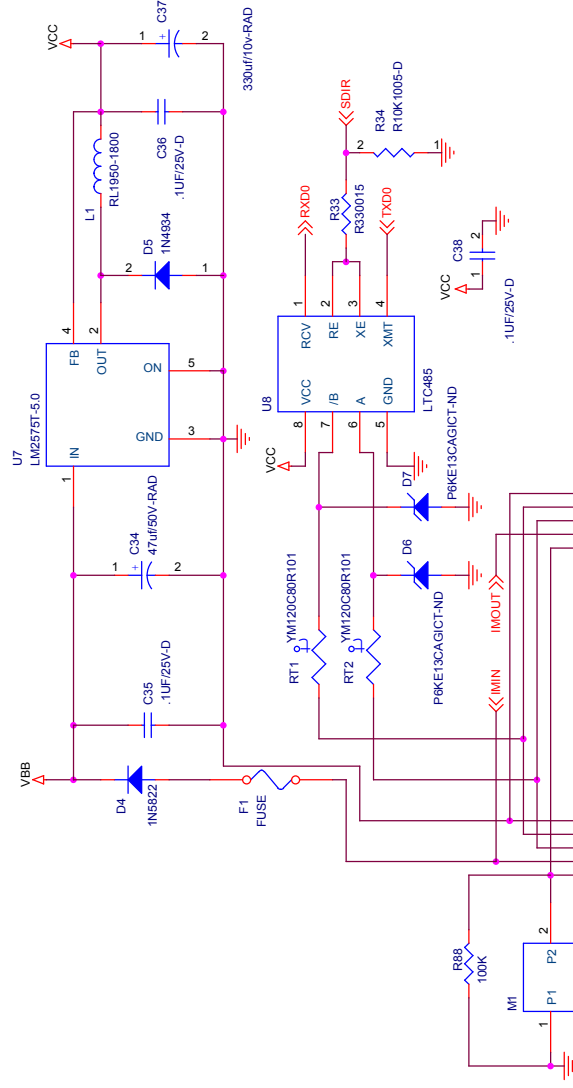
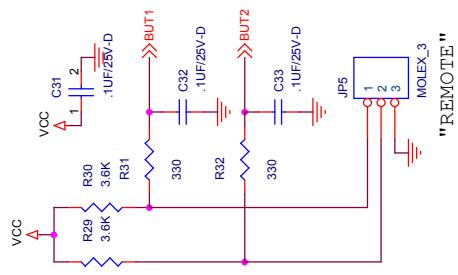
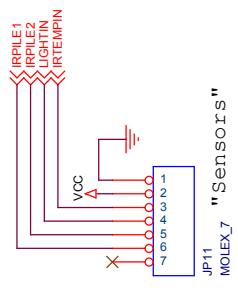
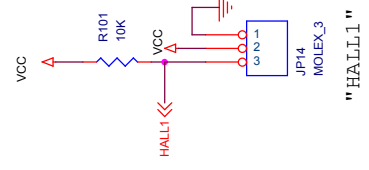
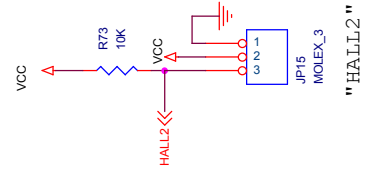


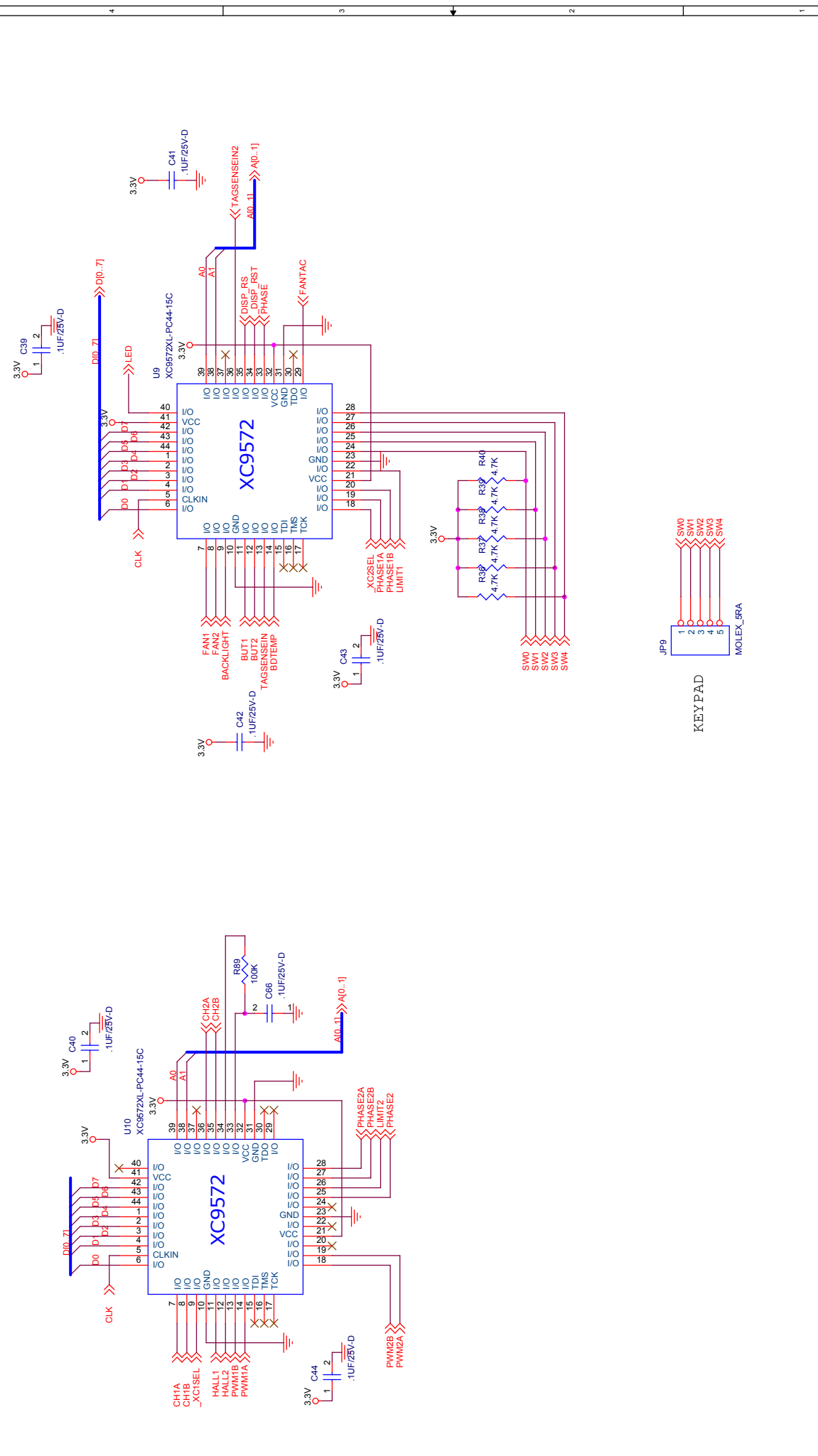


Title		
CXI IT		
Size	Document Number	Rev
B	401-02-003	C
Date:	Thursday, November 02, 2006	Sheet 3 of 7

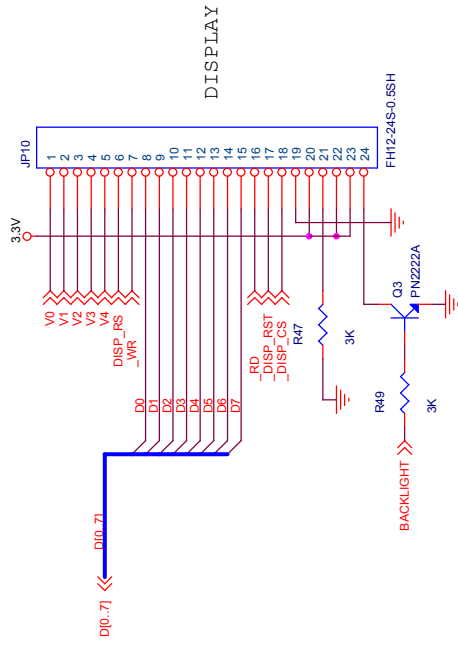
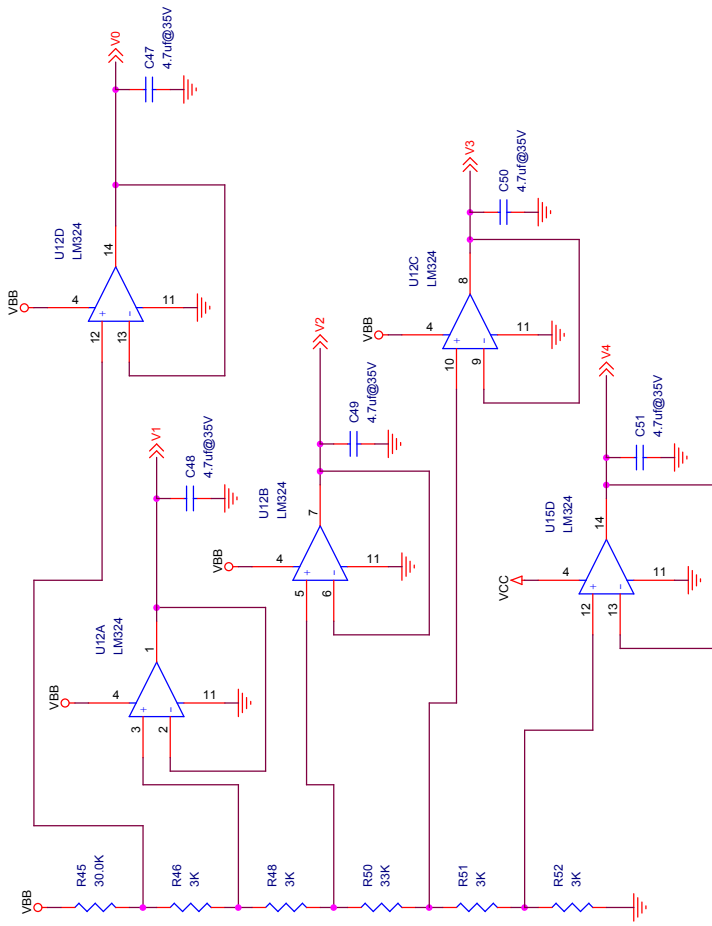


Title		
Size	Document Number	Rev
B	401-02-003	C
Date:	Thursday, November 02, 2006	Sheet 4 of 7



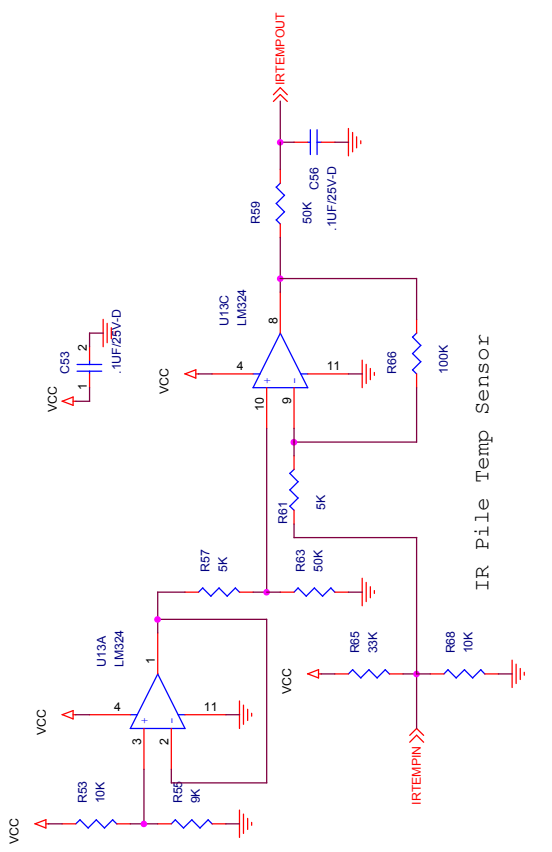


Title		CXI IT	
Size	B	Document Number	401-02-003
Rev	C	Date:	Thursday, November 02, 2006
Sheet	5	of	7

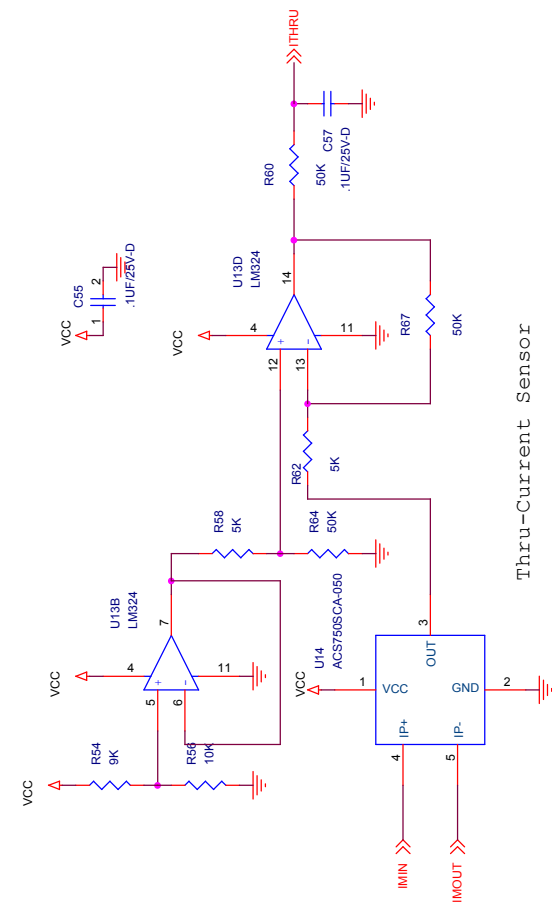


DISPLAY

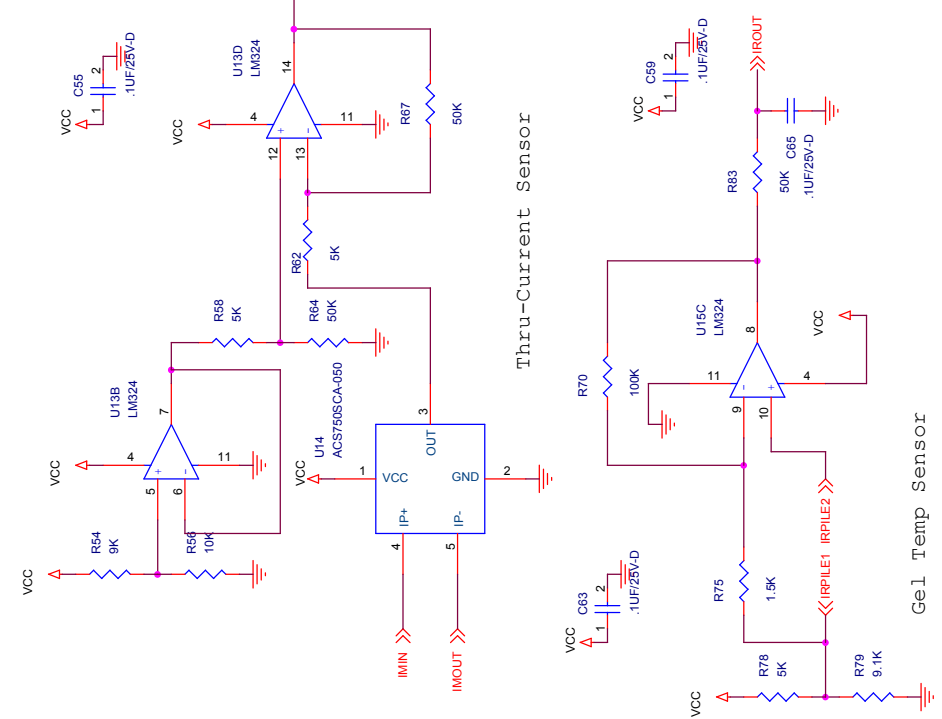
Title		CXI IT	
Size	B	Document Number	401-02-003
Rev	C	Date	Thursday, November 02, 2006
Sheet	6	of	7



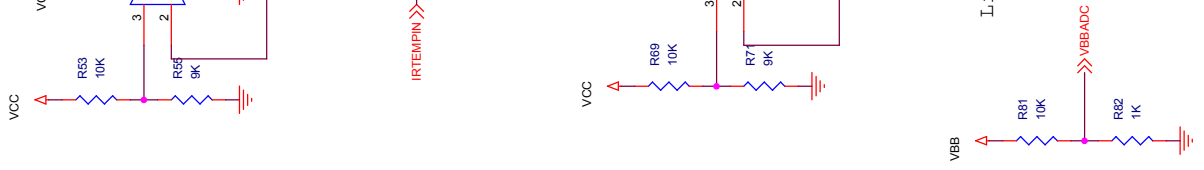
IR Pile Temp Sensor



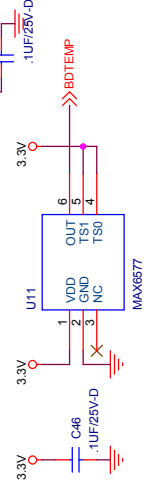
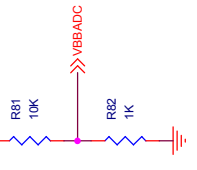
Thru-Current Sensor



Gel Temp Sensor



Light Sensor



Title  
CXI IT

Size  
B

Document Number  
401-02-003

Date:  
Thursday, November 02, 2006

Sheet  
7 of 7

Rev  
C